

# Hopper system BBV

## Characteristics

The large hopper volume of the hopper, referred to as the elevator, of type BBV prolongs the manual refilling cycles considerably, and thus increases the efficiency of the




entire system. The conveyor belt with the part-dependent driver cleats ideally transports light, large-volume parts. Furthermore the type BBV offers a low filling height and

a large transfer point height. The integrated Grimm retaining function ensures especially gentle part handling.

## Structure



Color scheme of the individual components:

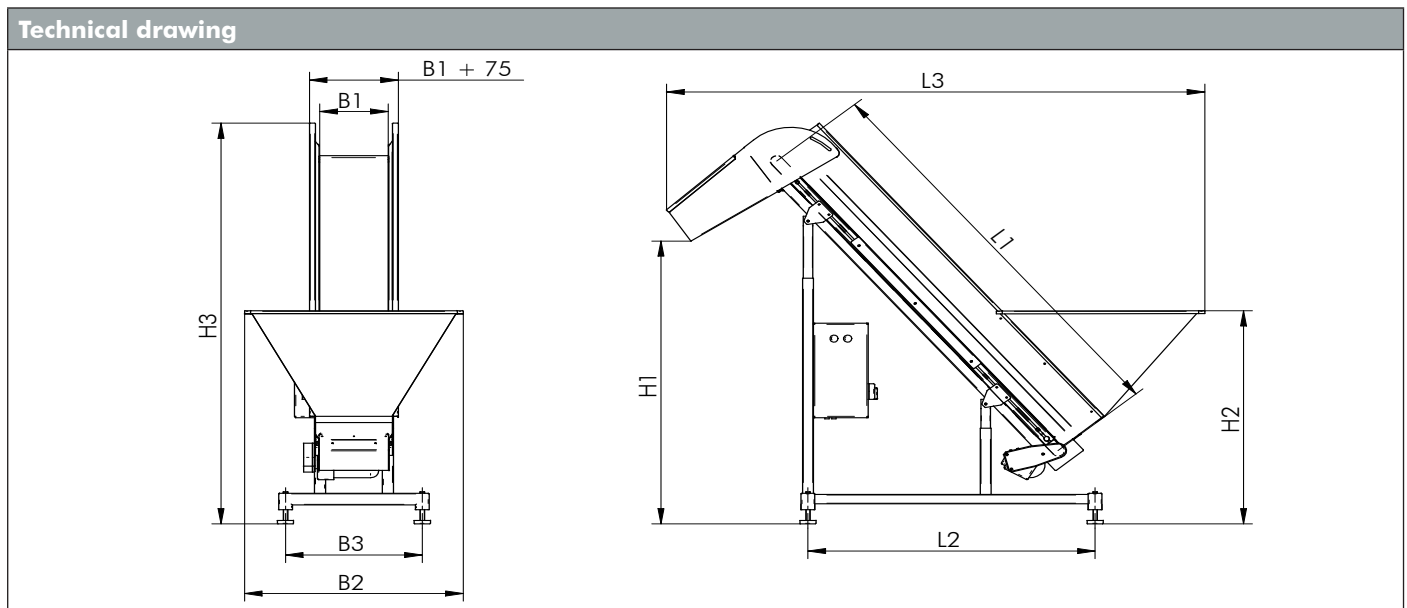
-  Motor
-  Hopper control
-  Conveyor belt

## Technical data

Device type	BBV45	BBV70	BBV100	BBV200	BBV300
Material bulk hopper and chute	Stainless Steel	Stainless Steel	Stainless Steel	Stainless Steel	Stainless Steel
max. filling volume [l]	45	70	100	200	300
max. filling weight [kg]	75	75	75	75	75
Protection class in accordance with DIN EN 60529	IP 54	IP 54	IP 54	IP 54	IP 54
Article no.	1-000019	1-001240	1-001277	1-001269	1-000023

## Dimensions

Device type	Dimensions [mm]								
	Belt width $B_1$	Belt length $L_1$	Outlet height $H_1$	Hopper width $B_2$	Foot distance $L_2$	Filling height $H_2$	Foot distance $B_3$	Total length $L_3$	Total height $H_3$
<b>BBV45</b>	250	1100	approx. 830-1030	—*	550	approx. 820-1020	450	approx. 1430	approx. 1370-1020
<b>BBV70</b>	250	1600	approx. 1125-1295	650	1050	approx. 730-900	500	approx. 1890	approx. 1625-1795
<b>BBV100</b>	250	1600	approx. 1125-1295	800	1050	approx. 830-1000	500	approx. 1970	approx. 1625-1795
<b>BBV200</b>	250	1600	approx. 1125-1295	1000	1050	approx. 930-1100	500	approx. 2130	approx. 1625-1795
<b>BBV300</b>	400	1600	approx. 1125-1295	1200	1050	approx. 1070-1240	650	approx. 2110	approx. 1625-1795



## Accessories

Designation	Description	Article no.
<b>Hopper control BS5</b>	Hopper control BS5 for belt hopper of type BSF-1, BBH, BBR, BBV	2-009382
<b>Pendulum switch PS1</b>	Pendulum switch PS1 for automated filling level control of bulk material in the sorting device, compact design, optical status display via LED, inductive switch without wear	2-002099
<b>Fast-emptying flap</b>	Fast-emptying flap allows a fast type change	—
<b>Filling level query</b>	Filling level query in the bulk hopper with light barrier divided into two parts	—
<b>Cover for BBV</b>	Cover over the bulk hopper made of transparent acrylic glass	—

\* Bulk hopper not necessary for type BBV45.