

Linear conveyor LF

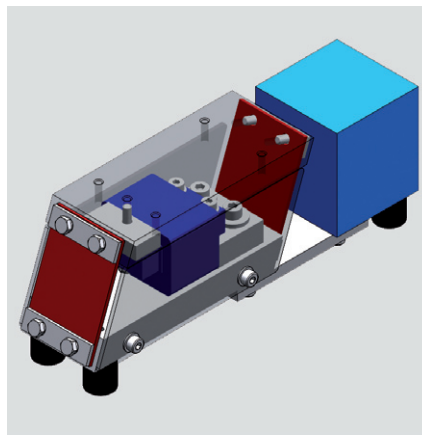
Characteristics

The linear conveyors of type LF can be used very flexibly in applications and can be simply installed when integrated in the overall system

thanks to the integrated counterweight and the rubber feet. With this linear conveyor, path lengths of up to 1200 mm are possible. The

type LF also offers very stable oscillation transfer.

Structure



Color scheme of the individual components:

- Magnetic unit
- Spring package
- Weight
- Rubber foot

Technical data

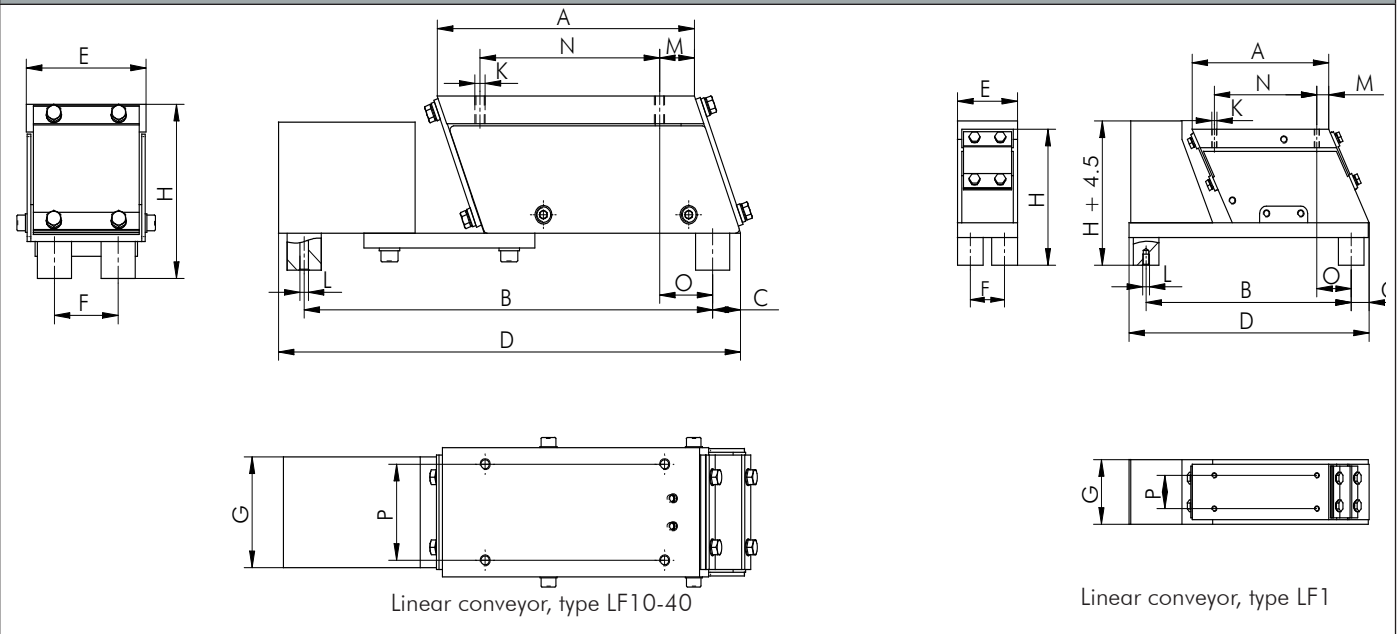
Device type	LF1	LF10	LF20	LF30	LF40
Magnet type	RM30/No.00	RM30/E2	RM45	RM54	RM66
Magnet voltage	230 V/ 50 Hz	230 V/ 50 Hz	230 V/ 50 Hz	230 V/ 25 Hz	230 V/ 25 Hz
Air gap [mm]	*	0.6	0.8	2.5	2.5
Net weight [kg]	1.5	2.5	5.9	13.3	17.5
Rail weight [kg]	*	1.5	4.5	8	15
Max. current consumption [A]	0.16	0.16	0.37	0.5	1.13
Power consumption [VA]	37	37	315	115	260
Oscillation frequency [Hz]	50	50	50	25	25
Max. set-up length [mm]	*	500	750	1000	1200
Protection class in accordance with DIN EN 60529	IP 52	IP 52	IP 54	IP 54	IP 54
Article no.	1-000448	1-000001	1-000002	1-000003	1-000004

* Data not available at time of printing.

Dimensions

Device type	Dimensions [mm]														
	A	B	C	D	E	F	G	H	K	L	M	N	O	P	
LF1	80	120	10.5	140.5	35	20	35	73.5	M3	M4	7	60	20	18	
LF10	110	177	10	196	50	32	35	75	M4	M4	20	65	32	35	
LF20	150	239	16	270	70	38	59	95	M6	M6	20	105	31	52	
LF30	250	330	40	400	85	48	65	125	M6	M8	23	2x100	18	65	
LF40	250	330	40	400	115	65	95	140	M8	M8	23	2x100	23	80	

Technical drawing



Accessories

Designation	Description	Article no.
Control unit FAR-1	230 V/ 50 Hz, for linear and bowl feeders, phase-controllable	2-008185
Control unit FAR-S-1	230 V/ 50 Hz, for linear and bowl feeders, phase-controllable, with input for a signal for accumulation shut-down	2-008186
Control unit FARR-S-1	230 V/ 50 Hz, combination of FAR-1 and FAR-S-1	2-008187
Control unit FUR-1	230 V/ 50 Hz, purpose-built frequency converter for vibratory feeders	2-007872
Control unit FUR-S-1	230 V/ 50 Hz, purpose-built frequency converter for vibratory feeders, with input for a signal for accumulation shut-down	2-007897
Stand for LF	Height-adjustable stand with screw-on plate	-
Forked light barrier GL	Fork width 10, 20, 30, 50, 80, 120 mm, without cable	2-001221