

Linear conveyor LF

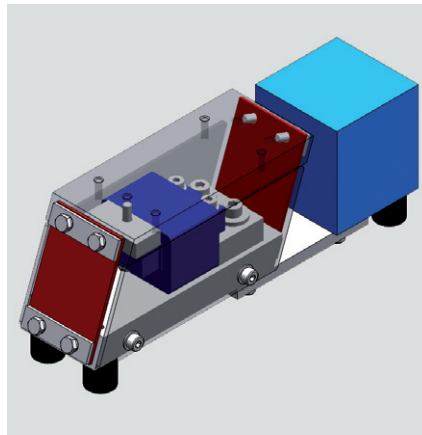
Characteristics

The linear conveyors of type LF can be used very flexibly in applications and can be simply installed when integrated in the overall system

thanks to the integrated counterweight and the rubber feet. With this linear conveyor, path lengths of up to 1200 mm are possible. The

type LF also offers very stable oscillation transfer.

Structure



Color scheme of the individual components:

- Magnetic unit
- Spring package
- Weight
- Rubber foot

Technical data

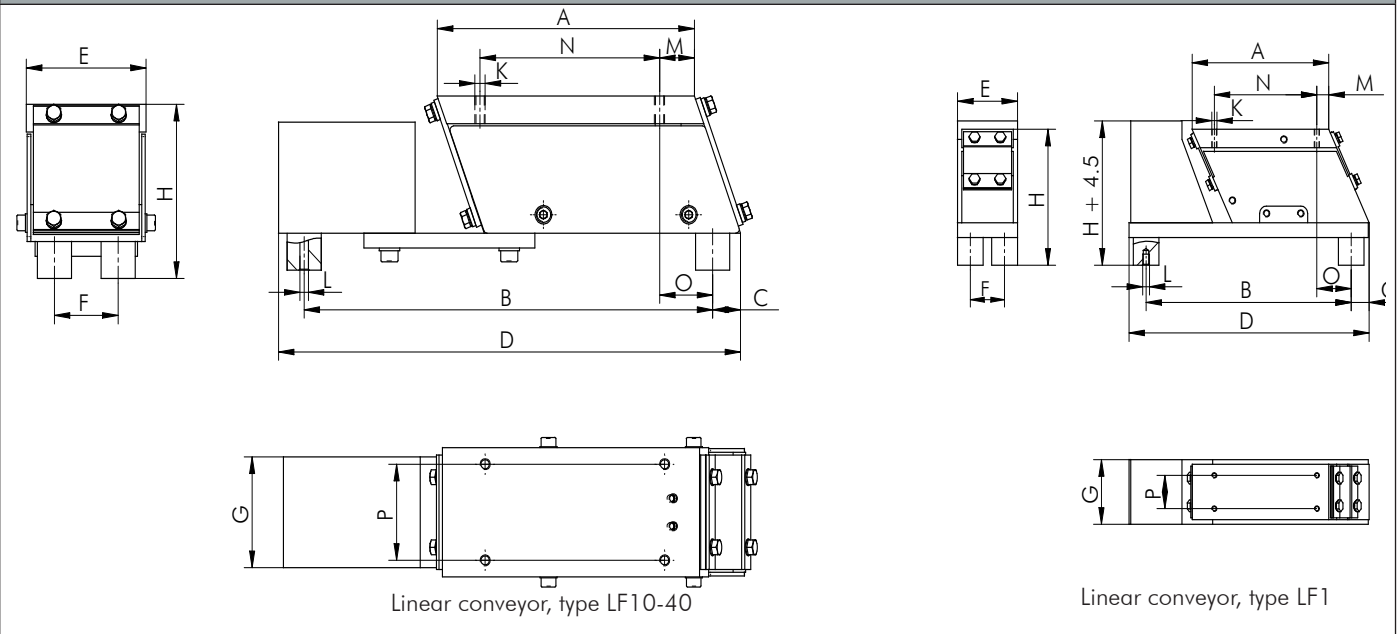
| Device type | LF1 | LF10 | LF20 | LF30 | LF40 |
|--|--------------|--------------|--------------|--------------|--------------|
| Magnet type | RM30/No.00 | RM30/E2 | RM45 | RM54 | RM66 |
| Magnet voltage | 230 V/ 50 Hz | 230 V/ 50 Hz | 230 V/ 50 Hz | 230 V/ 25 Hz | 230 V/ 25 Hz |
| Air gap [mm] | * | 0.6 | 0.8 | 2.5 | 2.5 |
| Net weight [kg] | 1.5 | 2.5 | 5.9 | 13.3 | 17.5 |
| Rail weight [kg] | * | 1.5 | 4.5 | 8 | 15 |
| Max. current consumption [A] | 0.16 | 0.16 | 0.37 | 0.5 | 1.13 |
| Power consumption [VA] | 37 | 37 | 315 | 115 | 260 |
| Oscillation frequency [Hz] | 50 | 50 | 50 | 25 | 25 |
| Max. set-up length [mm] | * | 500 | 750 | 1000 | 1200 |
| Protection class in accordance with DIN EN 60529 | IP 52 | IP 52 | IP 54 | IP 54 | IP 54 |
| Article no. | 1-000448 | 1-000001 | 1-000002 | 1-000003 | 1-000004 |

* Data not available at time of printing.

Dimensions

| Device type | Dimensions [mm] | | | | | | | | | | | | | | |
|-------------|-----------------|-----|------|-------|-----|----|----|------|----|----|----|-------|----|----|--|
| | A | B | C | D | E | F | G | H | K | L | M | N | O | P | |
| LF1 | 80 | 120 | 10.5 | 140.5 | 35 | 20 | 35 | 73.5 | M3 | M4 | 7 | 60 | 20 | 18 | |
| LF10 | 110 | 177 | 10 | 196 | 50 | 32 | 35 | 75 | M4 | M4 | 20 | 65 | 32 | 35 | |
| LF20 | 150 | 239 | 16 | 270 | 70 | 38 | 59 | 95 | M6 | M6 | 20 | 105 | 31 | 52 | |
| LF30 | 250 | 330 | 40 | 400 | 85 | 48 | 65 | 125 | M6 | M8 | 23 | 2x100 | 18 | 65 | |
| LF40 | 250 | 330 | 40 | 400 | 115 | 65 | 95 | 140 | M8 | M8 | 23 | 2x100 | 23 | 80 | |

Technical drawing



Accessories

| Designation | Description | Article no. |
|--------------------------------|---|-------------|
| Control unit FAR-1 | 230 V/ 50 Hz, for linear and bowl feeders, phase-controllable | 2-008185 |
| Control unit FAR-S-1 | 230 V/ 50 Hz, for linear and bowl feeders, phase-controllable, with input for a signal for accumulation shut-down | 2-008186 |
| Control unit FARR-S-1 | 230 V/ 50 Hz, combination of FAR-1 and FAR-S-1 | 2-008187 |
| Control unit FUR-1 | 230 V/ 50 Hz, purpose-built frequency converter for vibratory feeders | 2-007872 |
| Control unit FUR-S-1 | 230 V/ 50 Hz, purpose-built frequency converter for vibratory feeders, with input for a signal for accumulation shut-down | 2-007897 |
| Stand for LF | Height-adjustable stand with screw-on plate | – |
| Forked light barrier GL | Fork width 10, 20, 30, 50, 80, 120 mm, without cable | 2-001221 |